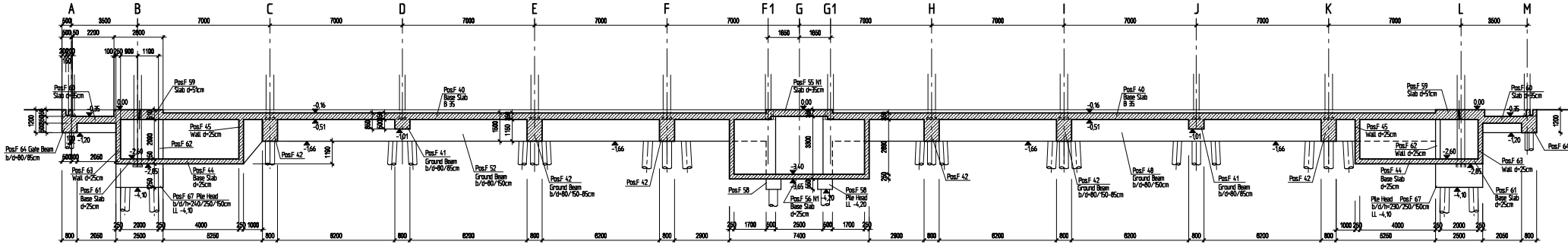
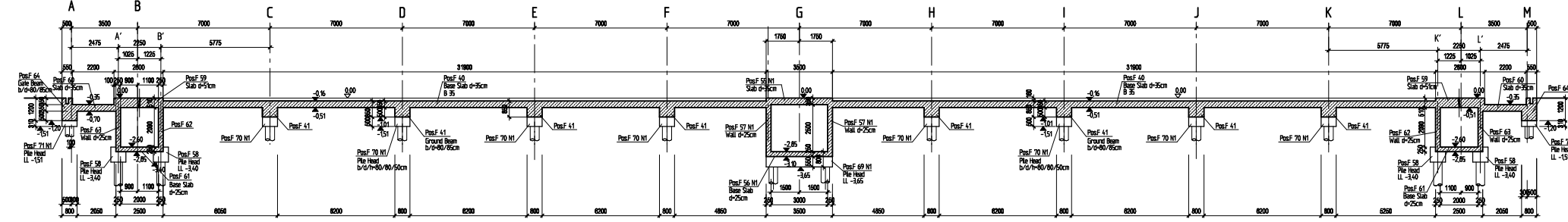


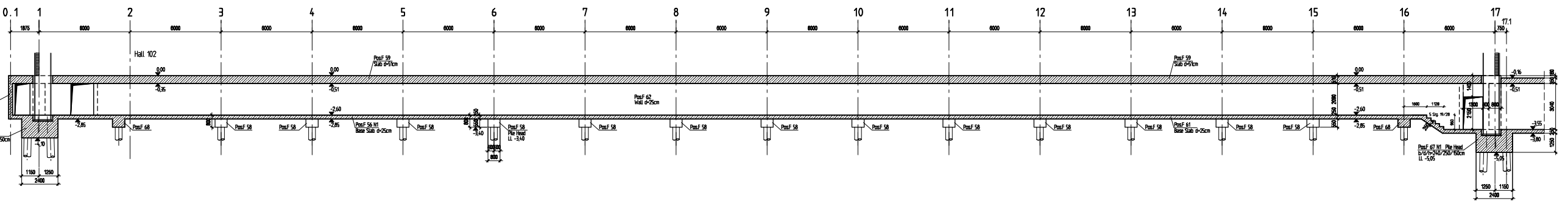
Section D-D



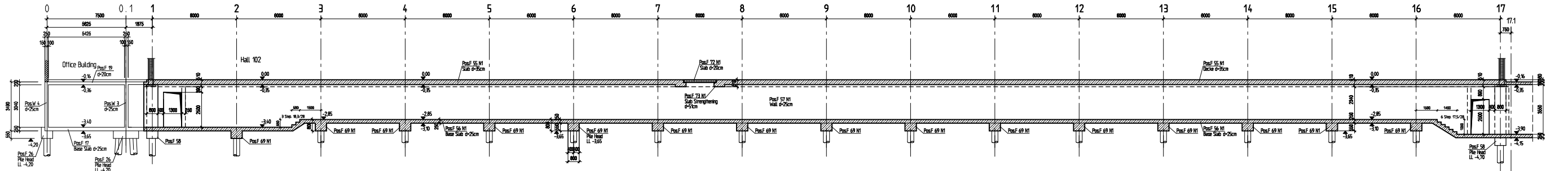
Section A-A



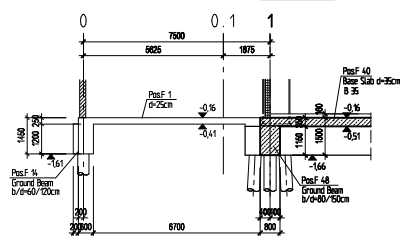
Section E-E



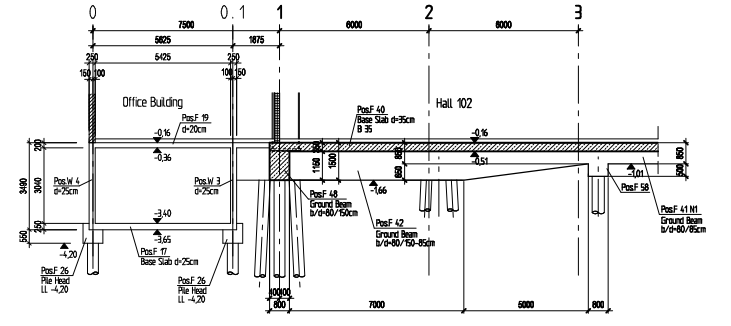
Section F-F



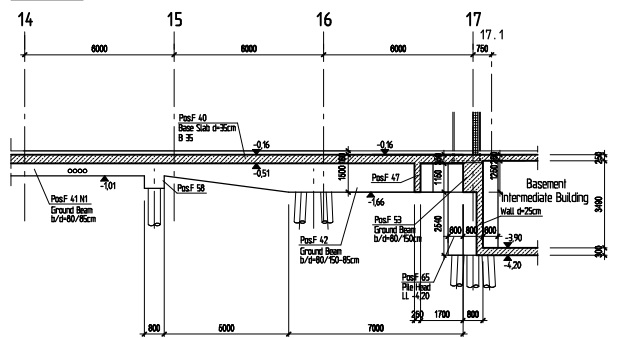
Section C-C



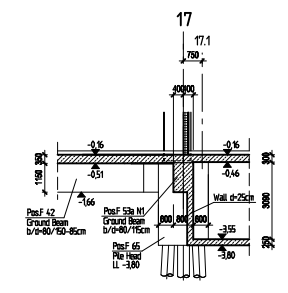
Section B-B



Section G-G



Section H-H



Material Grades:

- Steel Components:
 - S 235, JR32, unless otherwise specified
 - S 355, J2G3
- Concrete:
 - B 25, unless otherwise specified
 - B 35
- Reinforcement Steel:
 - Bst IV S + M
- Construction Zero = UFF + 0,59m

All measures are approximate and to be checked at the construction!

Rev.	Date	Description	Author
a	02.02.99	1. Aufwandsübersicht incorporated, completely revised	
		Object of the amendment	Name
ENG. MAX MUSTERMANN - STRUCTURAL ENGINEERING OFFICE Hauptstrasse 12, 76543 Musterstadt, T: 090 987 6543, F: 090 987 6655, E: m.mustermann@baur.de			
Project: New Building Hall 1 and 2			
Owner: BauPlan GmbH			
Cons. Site: Industrie str. 1, 12345 Hafenstadt			
Title: Formation Axis 0 - 17 Section			
Strat. Position Plan			
Sample city	2019/11/10	Material Grade	Scale
Drawn:	Checked:	s. Legend	1:100
2019		3 a	
Scale in m/cm		Contract Bl. Rev.	